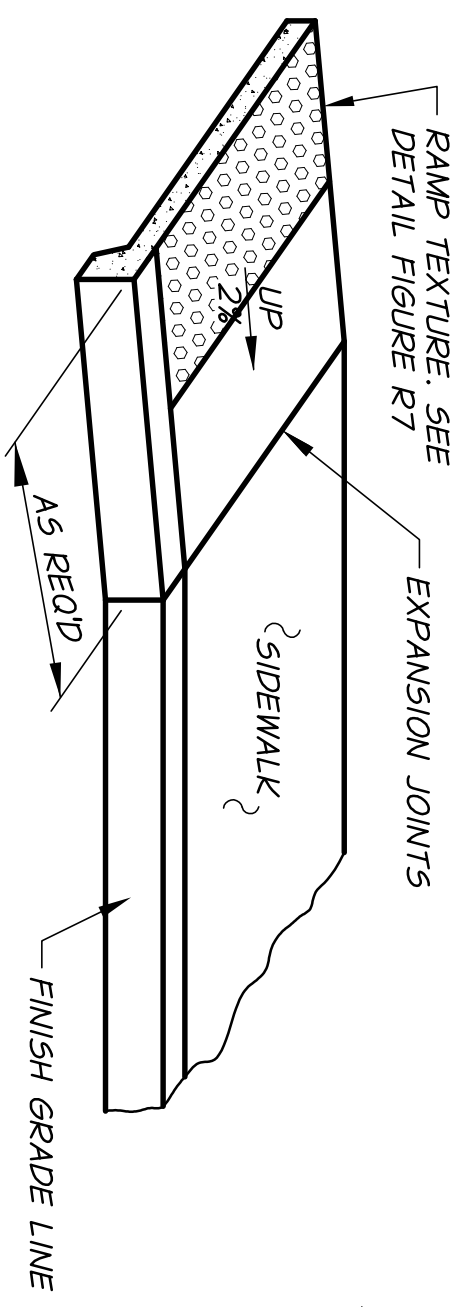
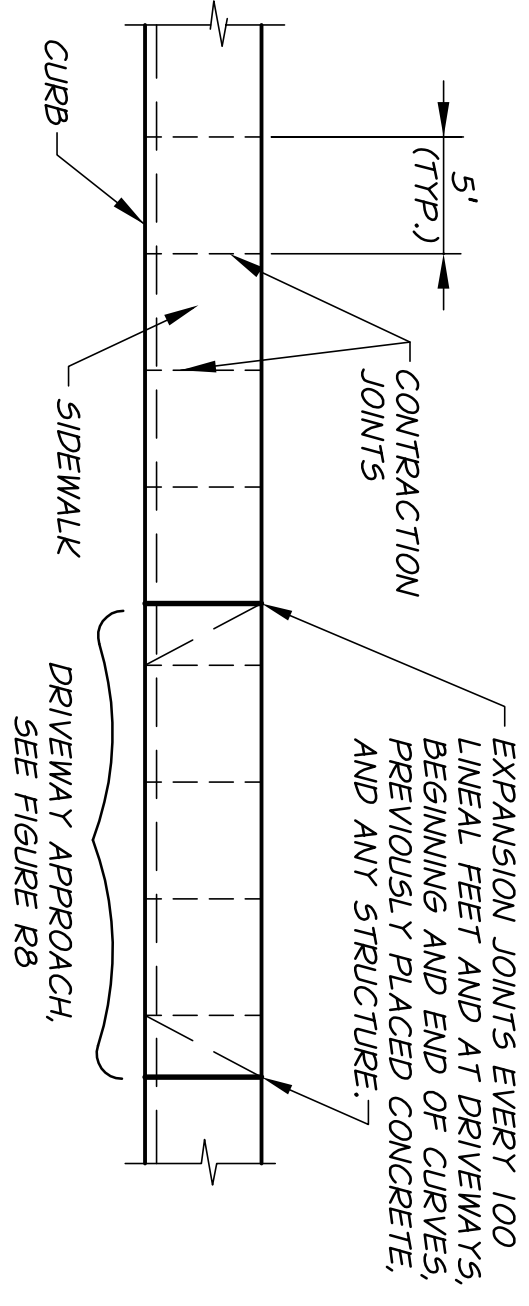


- RAMP NOTES:**
1. ALL SIDEWALKS EDGES SHALL HAVE 1/4" RADIUS.
 2. RAMP SHALL BE PLACED AT THE START AND END OF ALL SIDEWALKS UNLESS OTHERWISE NOTED.



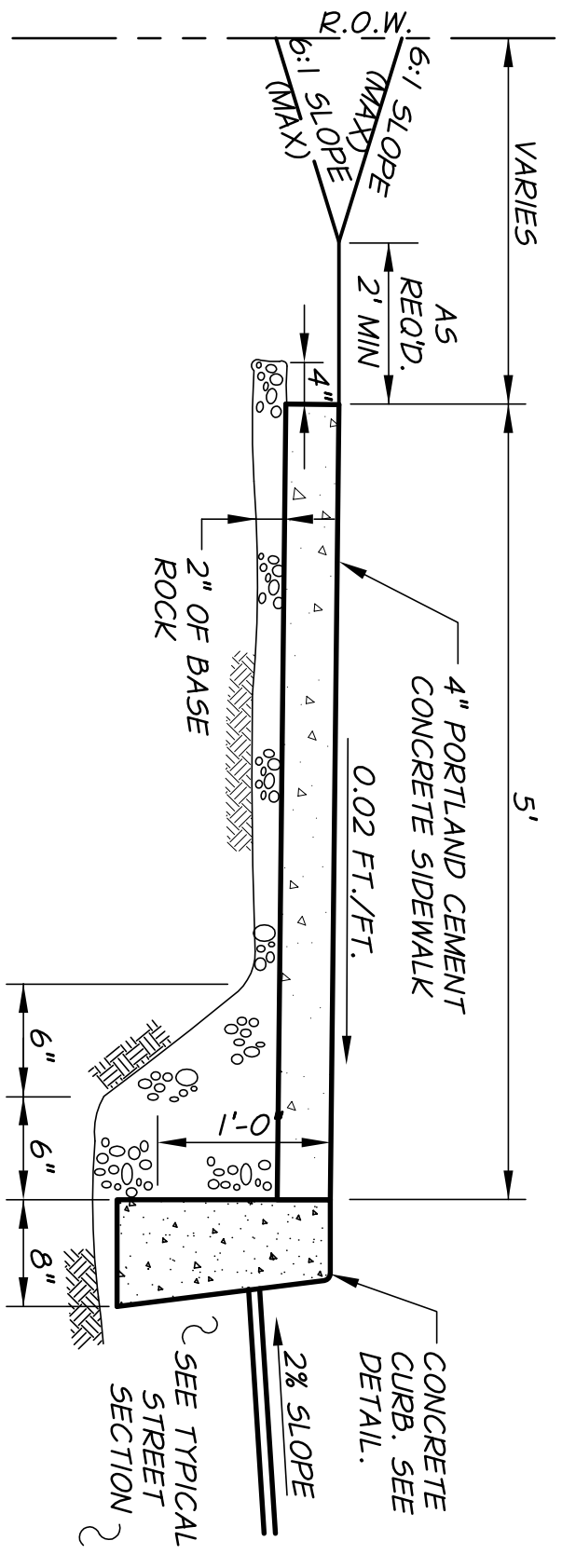
END OF SIDEWALK RAMP DETAIL

N.T.S.



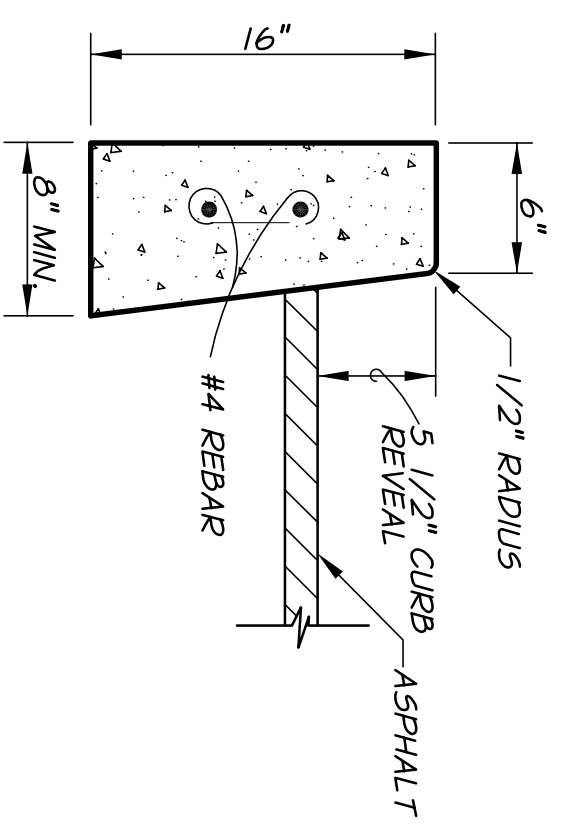
SIDEWALK JOINTING DETAIL

N.T.S.



SIDEWALK AND CURB DETAIL

N.T.S.



TYPICAL CURB DETAIL

N.T.S.

REVISION	DATE
GENERAL UPDATES	12/06

CITY OF UNION OREGON

STANDARD STREET DETAILS
SIDEWALK AND CURB DETAILS

FIGURE **R6**