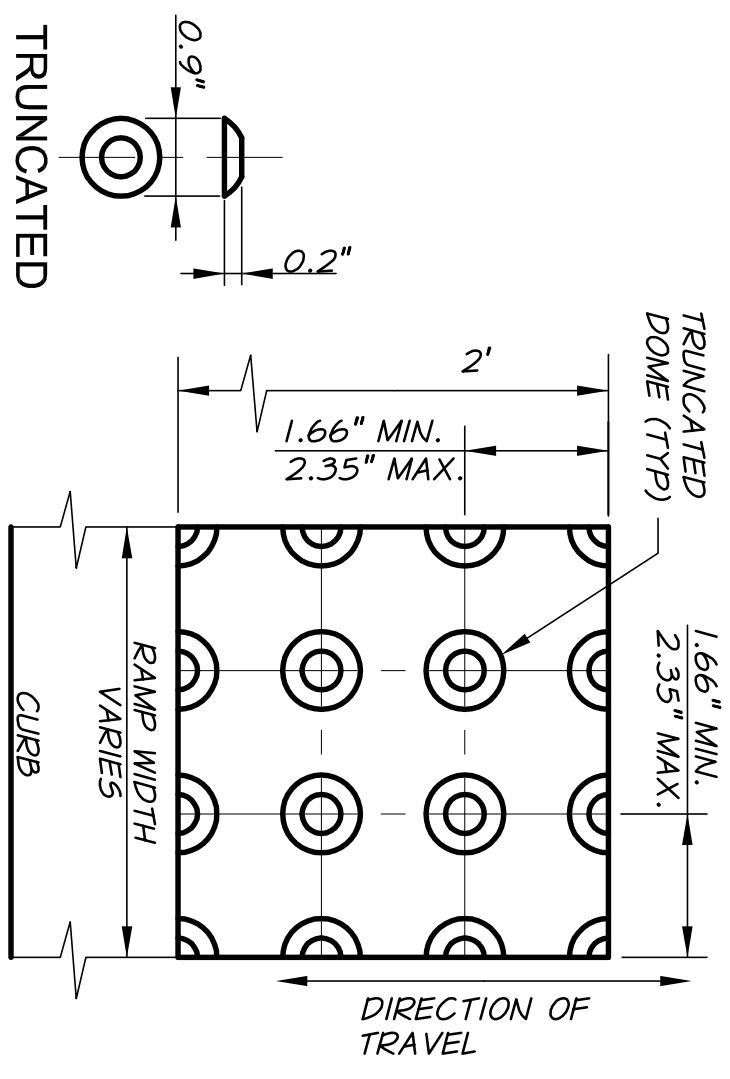


CURB RAMP PLACEMENT DETAIL
N.T.S.

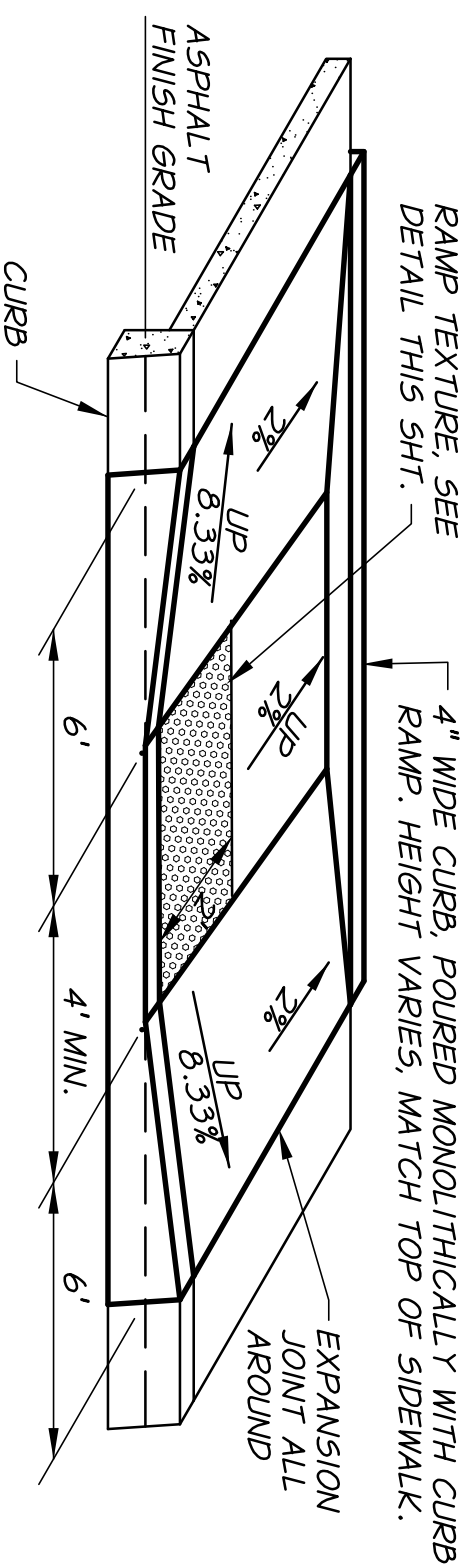
NOTE:
PAYMENT FOR CURB RAMPS SHALL BE INCLUDED IN THE SIDEWALK BID ITEM. SEE CURB RAMP NOTE 4 BELOW.

CURB RAMP NOTES:

1. THE SIDEWALK WIDTH WILL BE AS SPECIFIED ON FIGURES R1, R2, AND R3.
2. THE CURB RAMPS SHALL NOT BE PLACED INTEGRAL WITH THE SIDEWALK OR CURB AND SHALL BE ISOLATED WITH EXPANSION JOINT MATERIAL.
3. ALL SIDEWALK EDGES SHALL HAVE A 1/4" RADIUS.
4. CURB RAMP TEXTURING SHALL BE TRUNCATED DOME WARNING TEXTURE ONLY. IT SHALL ONLY BE PLACED IN THE LOWER 2' OF THROAT OF RAMP. ALIGN PATTERN RELATIVE TO TRAVEL DIRECTION ONLY AS SHOWN IN DETAIL. COLOR OF TEXTURE TO BE SAFETY YELLOW. TRUNCATED DOMES SHALL BE ARMORCAST CAST IN PLACE DETECTABLE WARNING PANELS OR APPROVED EQUAL.
5. CURB RAMPS ARE PAID FOR AS PART OF THE SIDEWALK BID ITEM AT THE SIDEWALK BID ITEM UNIT PRICE. NO ADDITIONAL PAYMENT WILL BE MADE FOR CURB RAMPS.



TRUNCATED DOME RAMP TEXTURE PATTERN DETAILS
N.T.S.



CURB RAMP DETAIL
N.T.S.

REVISION	DATE
GENERAL UPDATES	12/06

CITY OF
UNION
OREGON

STANDARD STREET DETAILS
CURB RAMP DETAIL

FIGURE
R7