

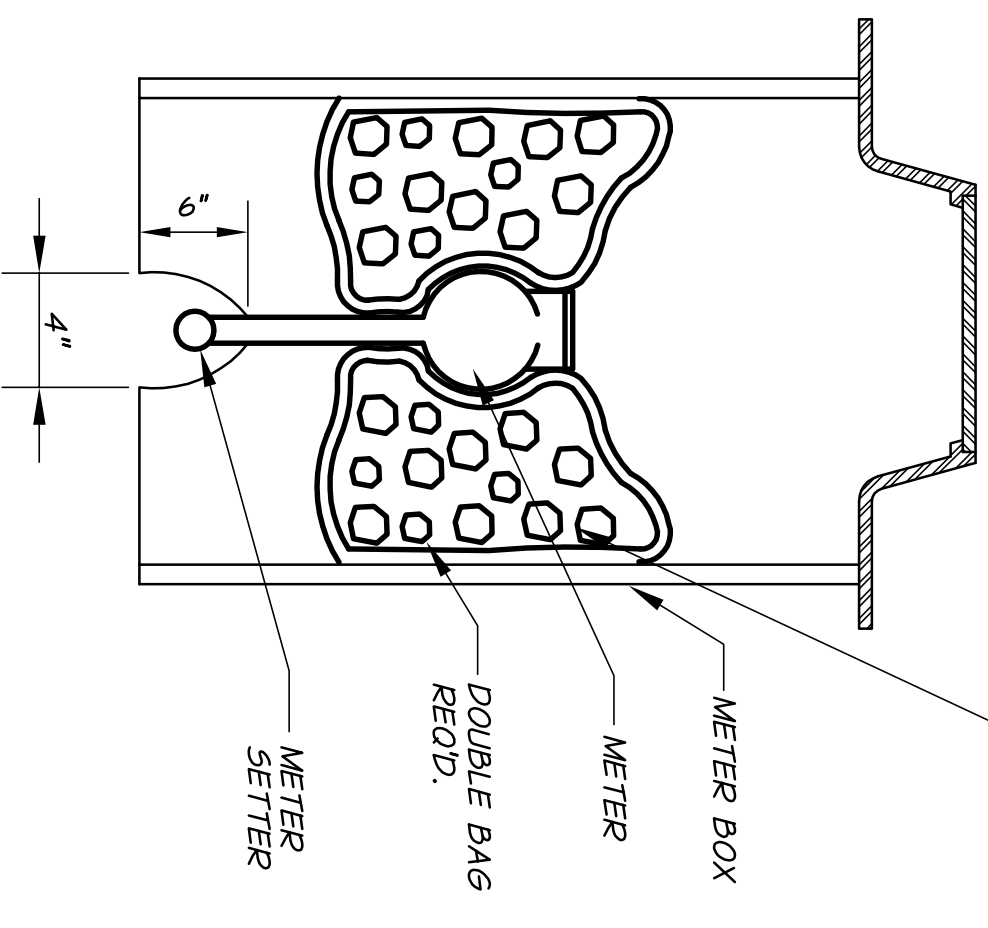
TYPICAL 1" OR SMALLER

WATER METER INSTALLATION

(IN NON-TRAFFIC AREAS)

N.T.S.

INSTALL THREE BAGS MIN., OR MORE IF REQ'D. BAGS SHALL BE FILLED WITH POLYURETHANE FOAM "PEANUTS". SECURELY HEAT SEAL OR TAPE EACH END OF EACH BAG. DOUBLE BAG EACH BAG UNIT. PLACE BAGS AROUND THE METER 50 METER CAN BE READ. PROVIDE PROTOTYPE OF INSULATING BAG FOR APPROVAL BY ENGINEER BEFORE PROVIDING BAGS FOR PROJECT. CONSOLIDATED PLASTIC CO. INC. (1-800-362-1000) #90349KA 4-MIL. 18" X 20" POLY BAGS OR APPROVED EQUAL.



METER BOX INSULATION DETAIL

(REQUIRED FOR ALL METER INSTALLATIONS)

N.T.S.

REVISION	DATE
GENERAL UPDATES	12/06

CITY OF
UNION
OREGON

STANDARD WATER DETAILS
WATER METER DETAILS

FIGURE
W2