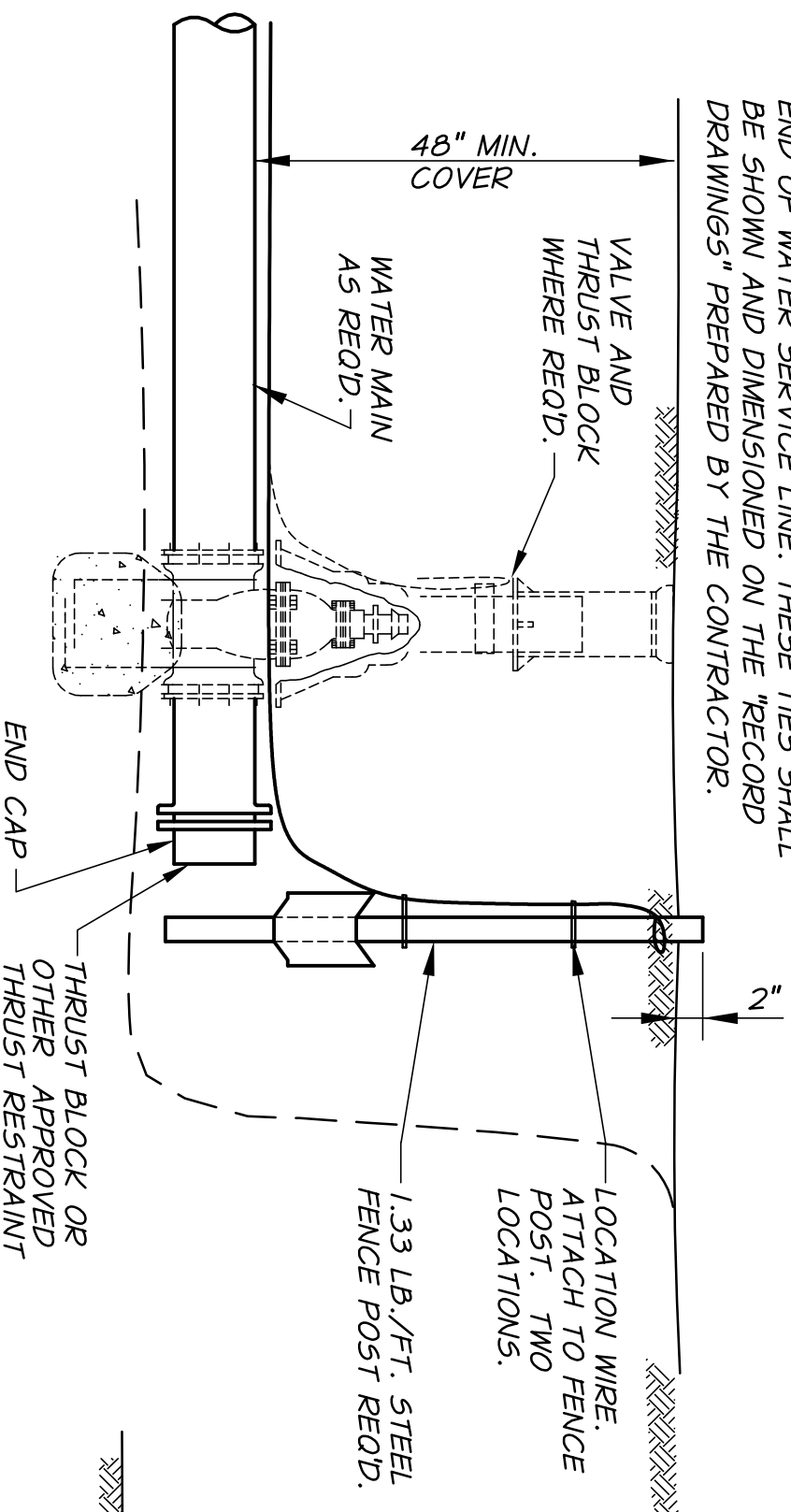
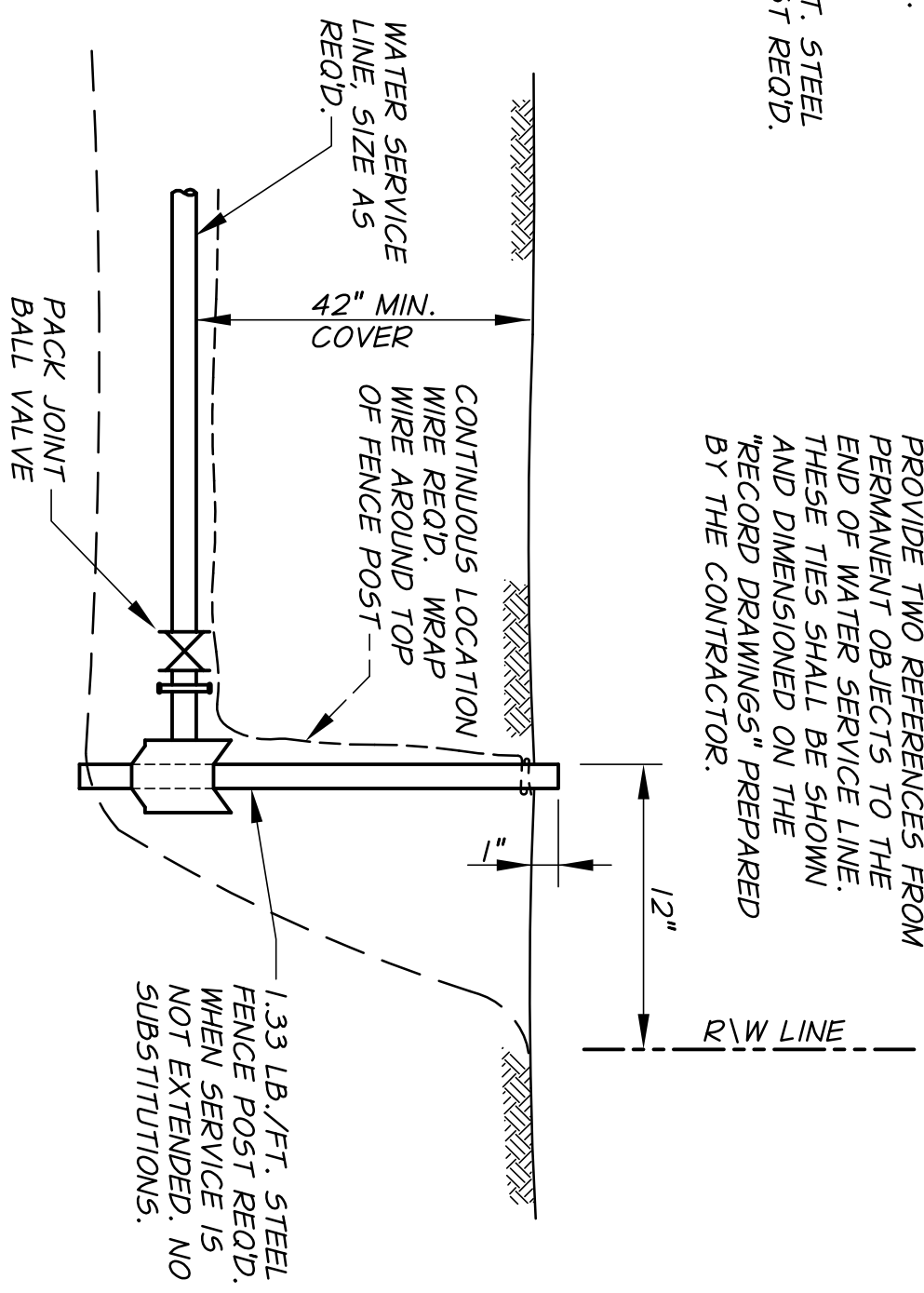


NOTE:
THE CONTRACTOR SHALL PROVIDE TWO REFERENCES FROM PERMANENT OBJECTS TO THE END OF WATER SERVICE LINE. THESE TIES SHALL BE SHOWN AND DIMENSIONED ON THE "RECORD DRAWINGS" PREPARED BY THE CONTRACTOR.



TYPICAL WATER MAIN STUB
SECTION
N.T.S.

NOTE:
THE CONTRACTOR SHALL PROVIDE TWO REFERENCES FROM PERMANENT OBJECTS TO THE END OF WATER SERVICE LINE. THESE TIES SHALL BE SHOWN AND DIMENSIONED ON THE "RECORD DRAWINGS" PREPARED BY THE CONTRACTOR.



TYPICAL WATER SERVICE LINE STUB
SECTION
N.T.S.

REVISION	DATE

**CITY OF
UNION
OREGON**

STANDARD WATER DETAILS
LOCAL STREET - RESIDENTIAL
SERVICE LINE STUB DETAILS

FIGURE
W9